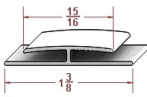
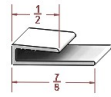
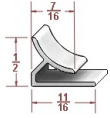
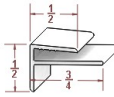
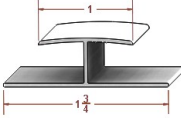
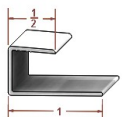
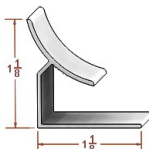
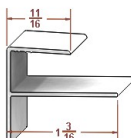
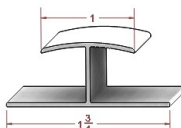
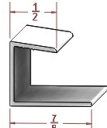
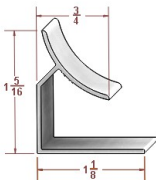
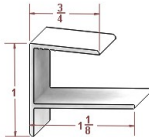
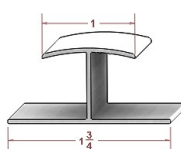
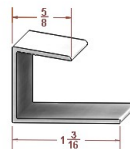
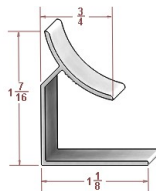
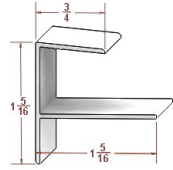
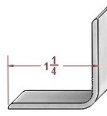
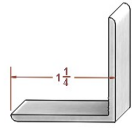
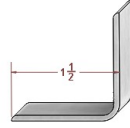
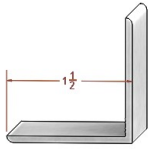
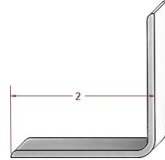
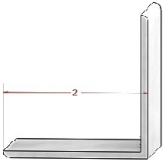
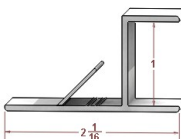
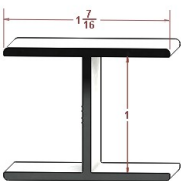
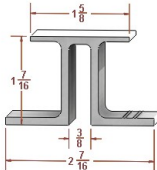
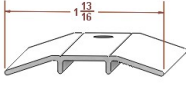
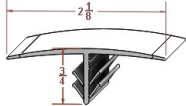
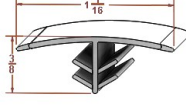
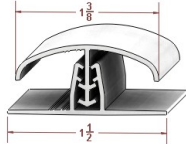
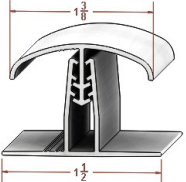
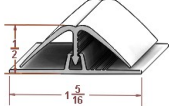
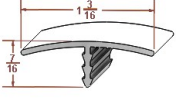


Vinyl Moldings by RAC Industries, LLC

Standard color: white. Standard lengths: 8', 10', 12'. Custom colors & lengths available.

Can't find what you need? Contact us for custom profiles.

 <p>R-3 0.090" divider</p>	 <p>R-1 0.090" end cap</p>	 <p>R-5 0.090" inside corner</p>	 <p>R-7 0.090" outside corner</p>	 <p>R-9 3/8" divider</p>
 <p>R-19 3/8" end cap</p>	 <p>R-21 3/8" inside corner</p>	 <p>R-23 3/8" outside corner</p>	 <p>R-43 1/2" divider</p>	 <p>R-41 1/2" end cap</p>
 <p>R-40 1/2" inside corner</p>	 <p>R-42 1/2" outside corner</p>	 <p>R-39 5/8" divider</p>	 <p>R-53 5/8" end cap</p>	 <p>R-52 5/8" inside corner</p>
 <p>R-38 5/8" outside corner</p>	 <p>R-13 1 1/4" inside corner</p>	 <p>R-15 1 1/4" outside corner</p>	 <p>R-121 1 1/2" inside corner</p>	 <p>R-123 1 1/2" outside corner</p>
 <p>R-35 2" inside corner</p>	 <p>R-37 2" outside corner</p>	 <p>R-201 1" cover trim with flexible seal</p>	 <p>R-202 1" heavy H-trim</p>	 <p>R-203 breaker</p>

 <p>R-153 batten strip 1 11/16" face</p>	 <p>R-45 T-bar dual durometer 2" face, 5/8" leg</p>	 <p>R-59 T-bar dual durometer 1" face, 3/8" leg</p>	 <p>R-55 2-piece division bar 1.38" face, for 3/8", 1/2" & 5/8" panels</p>	 <p>R-57 2-piece division bar 1.38" face, for 3/4", 7/8" & 1" panels</p>
 <p>R-33 2-piece inside corner and cover</p>	 <p>R-11 T-Bar 1 3/16" face, 3/8" leg</p>			

RAC Industries, LLC, 45545 242nd St., Madison, SD 57042

www.racindustries.com sales@racindustries.us 605-480-4082, Simon Decker